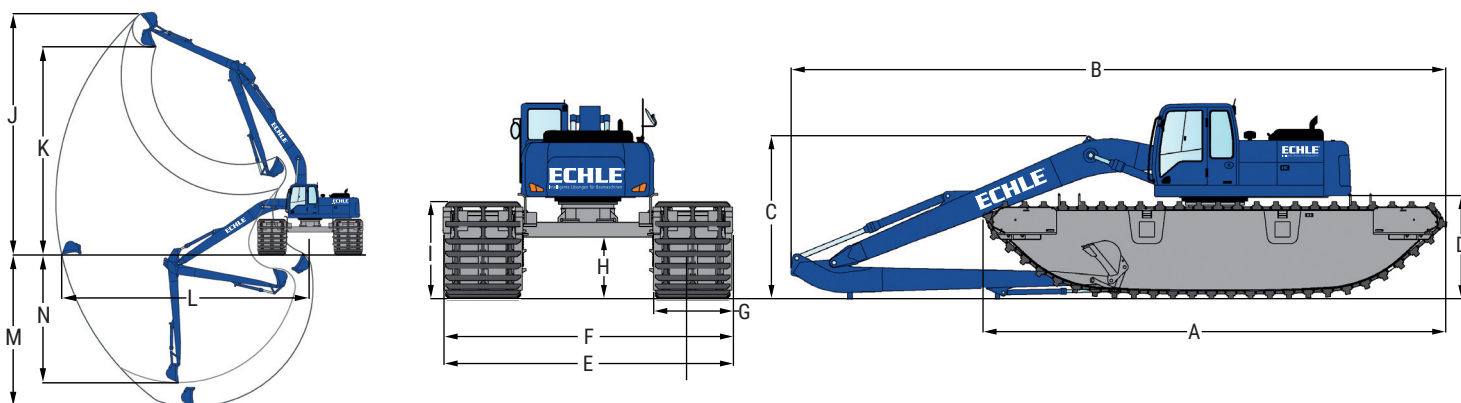


AMPHIBIOUS EXCAVATOR



Dim (m)	Description	Excavator Operating Weight									
		3.5-4.5 t	5-6 t	7-8 t	12-14 t	20-23 t	24-27 t	28-30 t	33-38 t	39-43 t	44-48 t
A	Max. Track Length	5,50	6,50	7,00	9,30	9,70	9,60	10,80	11,80	11,80	11,80
B	Overall Length	8,00	7,50	9,50	12,30	13,50	14,50	15,60	16,60	17,20	18,00
C	Height of Boom	2,50	2,50	3,00	3,00	3,50	3,50	4,10	4,10	4,30	4,30
D	Counterweight Clearance	1,50	1,50	1,70	1,80	2,10	2,20	2,30	2,30	2,40	2,40
E	Overall Width, min/max (outwardly extendable)	2,80/3,50	2,80/3,60	3,40/4,20	4,00/5,10	4,50/6,00	5,20/6,60	6,00/7,00	6,00/7,00	6,00/7,00	6,40/7,40
F	Undercarriage Width, min/max	2,80/3,50	2,80/3,60	3,40/4,20	4,00/5,00	4,50/6,00	5,20/6,60	5,90/6,90	6,00/7,00	6,00/7,00	6,40/7,40
G	Track Cleat Width	1,00	1,00	1,30	1,50	1,60	1,90	1,90	1,95	1,95	2,15
H	Min. Ground Clearance	1,00	1,00	1,10	1,10	1,30	1,30	1,30	1,10	1,10	1,10
I	Track Height	1,50	1,50	1,60	1,70	2,00	2,00	2,00	2,00	2,20	2,20
J	Max. Cutting Height	6,50	7,00	8,00	11,40	12,40	13,70	14,60	15,30	15,20	16,30
K	Max. Loading Height	5,00	5,80	6,30	9,30	10,50	11,40	12,10	12,80	12,70	13,80
L	Recommended Outreach	7,00	6,50	8,00	12,00	14,00	15,00	16,00	17,00	18,00	20,00
M	Max. Digging Depth from Front	4,00	3,50	3,80	7,30	8,90	9,40	9,90	11,00	12,50	13,90
N	Max. Digging Depth from Side	3,50	3,50	3,40	6,50	7,20	7,20	8,50	9,60	10,40	11,30
	Bucket Capacity (m ³)	0,13	0,11	0,25	0,40	0,50	0,70	0,80	0,90	1,10	1,10

* The above specifications are for reference only, actual working range may vary from machine models.

** For the benefit of continuous product improvement, specifications are subjected to change without prior notice.



ECHLE Hartstahl GmbH
 Untere Zinne 6
 77709 Wolfach / Germany
 T: +49 7834 86 559 - 0

info@echle-hartstahl.de
 www.echle-hartstahl.de
 www.echle-shop.com

ECHLE[®]
 Intelligente Lösungen für Baumaschinen