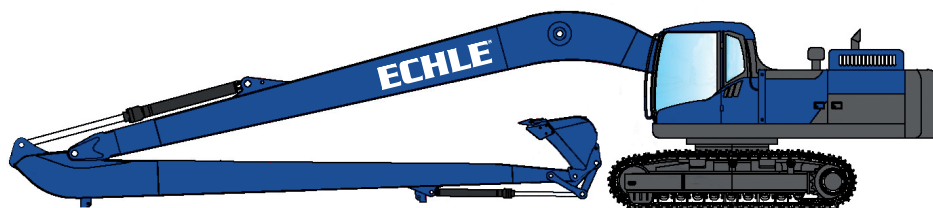
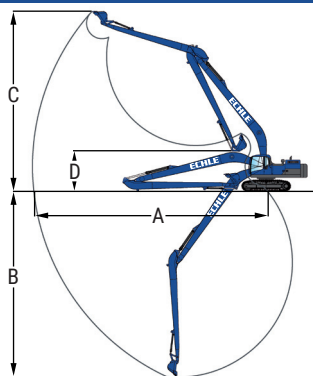


LONG REACH FRONT



Excavator Operating Weight	Length	A Max. Reach	B Max. Depth	C Max. Height	D Boom Height	Approx. Bucket Capacity
	m	m	m	m	m	
3 - 5 t	7,0	7,0	5,0	5,5	1,5	0,10
6 - 8 t	9,0	8,5	5,0	9,5	2,0	0,25
10 - 14 t	12,0	12,0	8,0	12,5	2,5	0,35
15 - 18 t	13,0	13,0	9,0	12,5	2,5	0,45
20 - 22 t	14,0	14,0	10,0	13,0	2,5	0,50
	15,5	15,5	11,0	14,0	2,5	0,45
	16,5	16,5	12,5	14,5	2,5	0,45
23 - 26 t	17,0	17,0	12,0	16,0	3,0	0,50
	18,5	18,5	13,0	16,5	3,0	0,45
27 - 32 t	18,5	18,5	13,5	15,5	3,0	0,65
33 - 38 t	18,5	18,5	14,0	14,5	3,0	0,75
	20,0	20,0	16,0	15,0	3,5	0,65
40 - 45 t	21,0	21,0	16,0	16,5	3,5	0,90
	22,0	22,5	17,5	17,0	3,5	0,80
46 - 53 t	21,0	21,5	15,5	17,5	3,5	0,90
	22,0	22,5	16,5	18,0	3,5	0,80
60 - 68 t	23,5	23,5	17,0	20,0	4,0	1,50
70 - 78 t	23,5	23,5	17,5	19,5	4,0	1,60
	25,0	25,0	18,5	20,5	4,0	1,50
80 - 95 t	23,5	24,0	17,5	20,0	4,0	1,60
	25,0	25,0	18,5	21,0	4,5	1,60
100 - 125 t	25,0	25,0	18,5	17,0	5,0	1,80
	27,0	27,0	20,5	17,5	5,5	1,80

* The above specifications are for reference only, actual working range may vary from machine models.

** For the benefit of continuous product improvement, specifications are subjected to change without prior notice.

*** Different bucket design will affect the working envelop.



ECHLE Hartstahl GmbH
 Untere Zinne 6
 77709 Wolfach / Germany
 T: +49 7834 86 559 - 0

info@echle-hartstahl.de
 www.echle-hartstahl.de
 www.echle-shop.com

ECHLE[®]
 Intelligente Lösungen für Baumaschinen